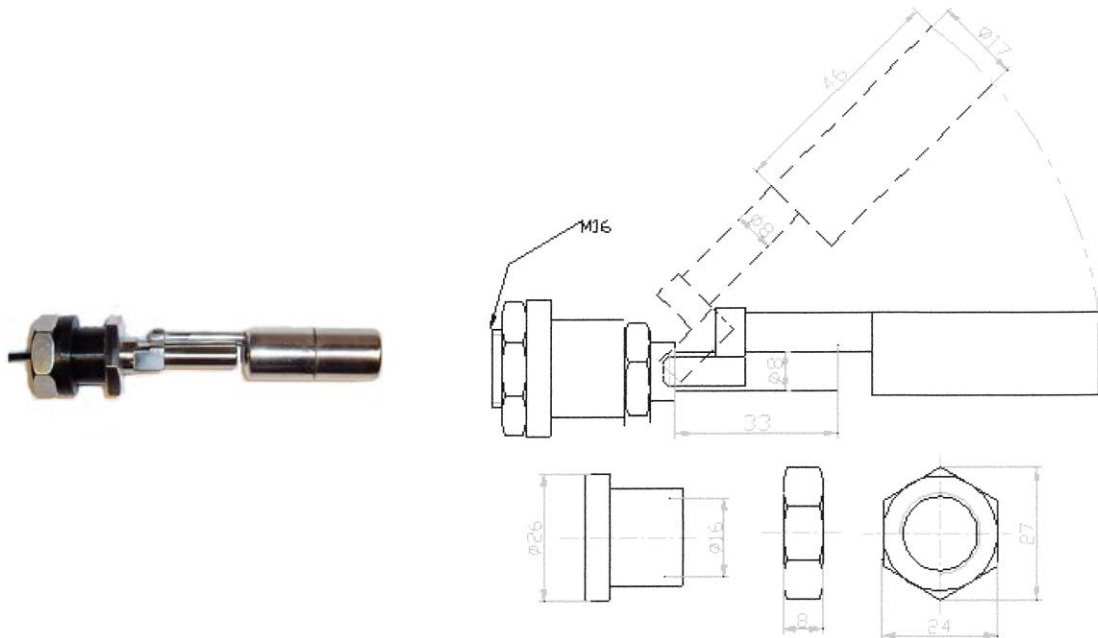


## FLT 241 Stainless Steel Float Switch

- Versatile, economical and compact
- UL Listed internal reed switch
- Normally closed; can be inverted for normally open operation
- M16 stem threading – each switch comes with a nut and silicon o-ring
- Warranted against manufacturer defect for 90 days from delivery date



Unit: mm

**Operation:** When the float drops to the horizontal position, the internal reed contacts draw together and complete a circuit. When the float rises from the horizontal position, the contacts separate and open the circuit.

### Materials:

1. Float: Stainless Steel
2. Stem: 304 Stainless Steel
3. Nut: Stainless Steel
4. O-ring: Silicon
5. Clip: Stainless Steel
6. Leads: 1007 AWG22, 24"
7. Top Fill: Epoxy

### Specifications:\*

Temperature: -10 ~ +125°C  
 Contact rating: 50W  
 Max Switching Voltage: <=220VAC  
 Min Breakdown Voltage: 300VDC  
 Max Switching Current: 1.5A  
 Max Contact Resistance: 100mΩ

\*Can be customized to your requirements