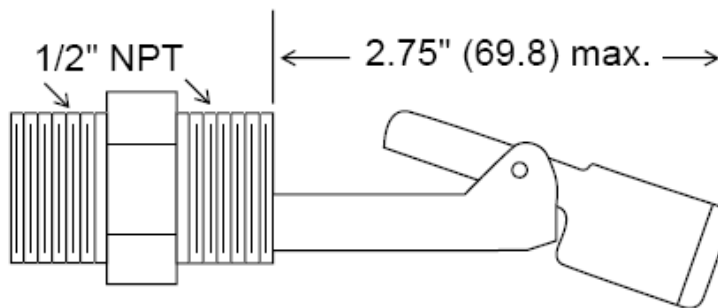




M8700 Float Switch (FLT004)

- Versatile, economical and compact.
- Horizontal mount suitable for mounting through the side of a chamber
- UL Recognized part used in thousands of products.
- Normally closed; mount inverted for normally open operation.
- 1/2" NPT tapered stem threading; self-sealing; does not come with a nut.
- Warranted against manufacturer defect for one year from delivery date.



Unit: Inches (mm)

Operation: When the float drops .12" from the horizontal position, the internal reed contacts separate and open a circuit. When the float rises to within .05" of the horizontal position, the contacts close and complete the circuit.

Materials:

Float:	Polypropylene Foam
Stem:	Polypropylene
O-ring:	None (tapered threading)
Leads:	22 ga. MTW, 24", white
Top Fill:	Epoxy

Specifications:*

Temperature:	+105°C
Contact rating:	30VA
Max Pressure:	100 PSIG
Approvals:	UL, CSA, NSF
Specific Gravity:	.6

*Can be customized to your requirements